

SYDEA TRADING LTD

Διακοσμητικά Εξαρτήματα Ανοξείδωτου Χάλυβα - Decorative Stainless Steel Parts



SYDEA TRADING LTD

Διακοσμητικά Εξαρτήματα Ανοξείδωτου Χάλυβα - Decorative Stainless Steel Parts



Κώστα Κοράλη 1, 3010 Λεμεσός

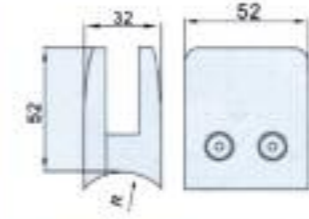
Τηλ: 25565607, 25819829 • Fax: 25578023

E-mail: sydeatrading@gmail.com • Web: www.sydeatrading.com

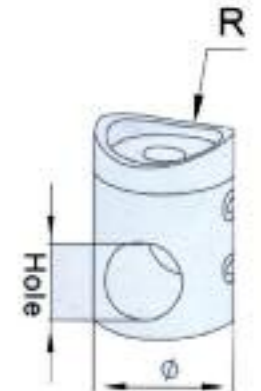
Εξαρτήματα για κάγκελα και σκάλες



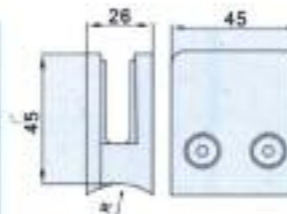
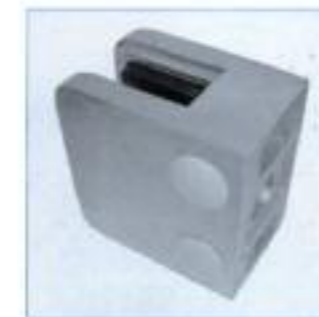
Εξαρτήματα για κάγκελα και σκάλες



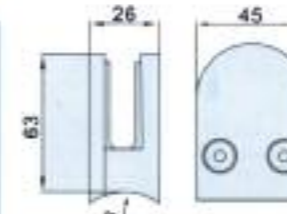
Item No	Radian	Size
605.00.XX.S	Flat	52x52x32
605.42.XX.S	42.4	52x52x32
605.48.XX.S	48.3	52x52x32



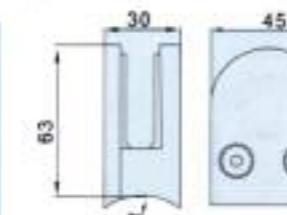
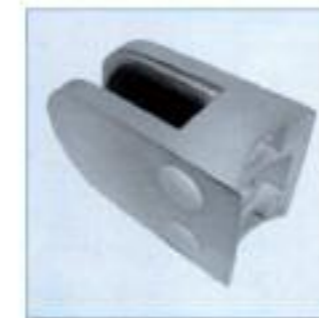
ITEM NO	Diameter	Hole	RADIAN
602.00.10.XX	22	10.2	Flat
602.33.10.XX	22	10.2	33.7
602.42.10.XX	22	10.2	42.4
602.00.12.XX	22	12.2	Flat
602.33.12.XX	22	12.2	33.7
602.42.12.XX	22	12.2	42.4
602.00.14.XX	22	14.2	Flat
602.33.14.XX	22	14.2	33.7
602.42.14.XX	22	14.2	42.4



Item No	Radian	Size
502.00.XX.S	Flat	45x45x26
502.33.XX.S	33.7	45x45x26
502.42.XX.S	42.4	45x45x26
502.50.XX.S	50.8	45x45x26






Item No	Radian	Size
503.00.XX.S	Flat	63x45x28
503.33.XX.S	33.7	63x45x28
503.42.XX.S	42.4	63x45x28
503.48.XX.S	48.3	63x45x28



Item No	Radian	Size
504.00.XX.S	Flat	63x45x30
504.42.XX.S	42.4	63x45x30
504.48.XX.S	48.3	63x45x30
504.50.XX.S	50.8	63x45x30



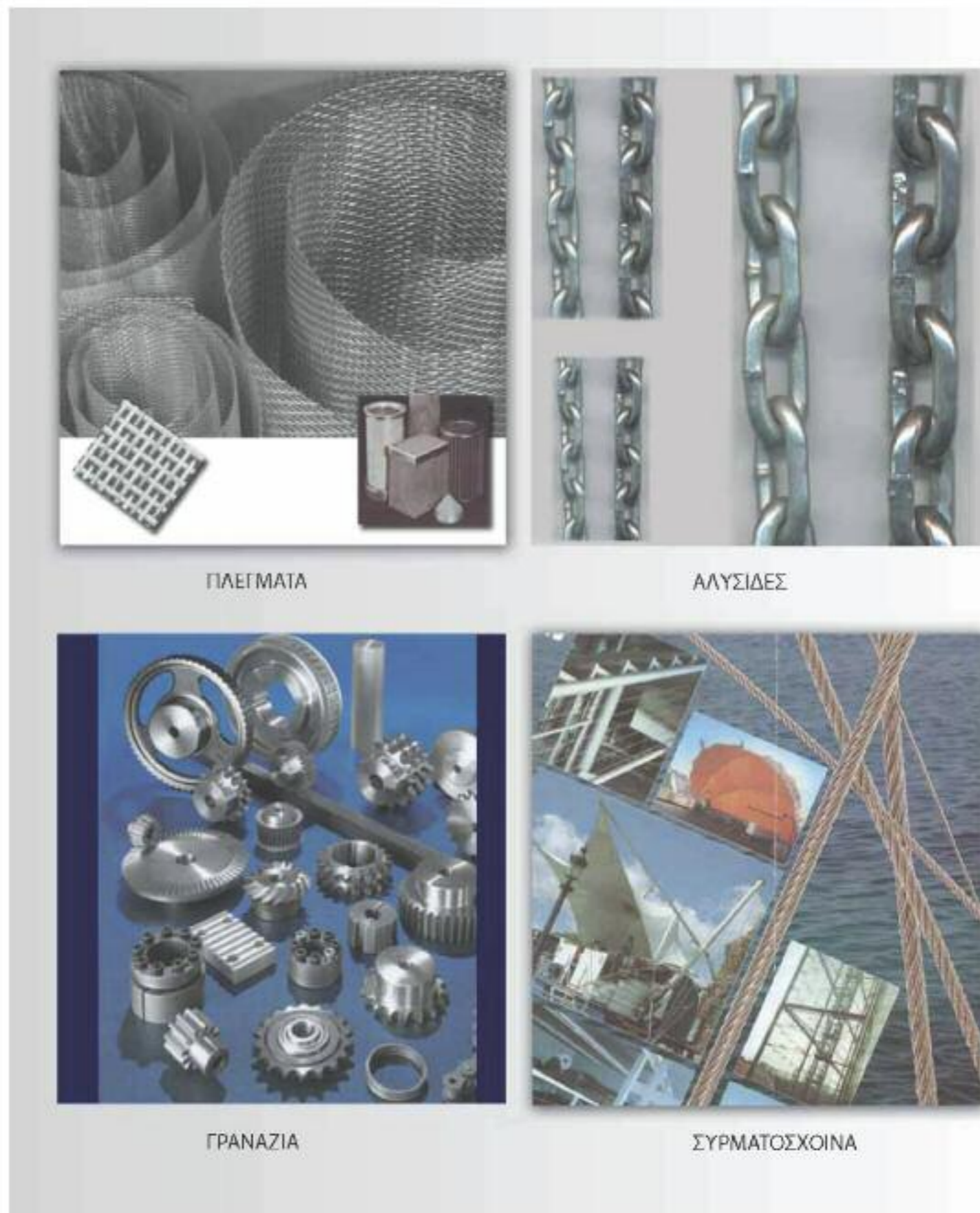
Item NO	φ	Ø1	H	Thickness
401.045.12.XX	45	12.5	12.3	1.0
401.045.14.XX	45	14.5	12.3	1.0
401.076.12.XX	76	12.5	14.3	1.0
401.076.14.XX	76	14.5	14.3	1.0
401.076.34.XX	76	34.5	14.3	1.0
401.076.43.XX	76	42.8	14.3	1.0
401.090.12.XX	90	12.5	14.3	1.0
401.090.34.XX	90	34.0	14.3	1.0
401.090.43.XX	90	42.8	14.3	1.0
401.105.43.XX	105	42.8	22.0	1.5
401.105.49.XX	105	49.0	22.0	1.5
401.125.43.XX	125	42.8	25.0	1.5
401.125.49.XX	125	49.0	25.0	1.5

Reference Pictures	No.s(QH)	Cable No.s	Cable Dia. (mm)	Cable Pitch (mm)	Rod Dia (mm)	weft wire pitch (mm)
	3270	2	1,05	36	3	7
	4525	1	2,5	6	2	8
	6515	1	1,6	5	1,5	1,5



Εξαρτήματα για κάγκελα





Special flap discs

Weld finishing on flat surfaces, beads and corners

NEW

NEW

PLANTEX® flap discs
made of environmentally friendly hemp compound

Miniature multi-function grinding machine

Versatile multifunctional grinder/polisher with 4 applications:
linear grinder/polisher, flexible shaft, mini-angle grinder mini-cutter

MINI-MAX®
for the professional use of shaft tools

Shaft tools for MINI-MAX®

- ➔ Μεταπτώσεις
- ➔ Πάσα
- ➔ Σταυροί
- ➔ Ρουπινέτα
- ➔ Γωνιές
- ➔ Ενώσεις
- ➔ Πελεζίκια
- ➔ Πώματα
- ➔ Φλάντζες



<p>Pipe Fittings</p> 	<p>Breathing Valves</p> 	<p>Stainless Steel Bends & Tees Welded</p> 
<p>Butterfly Valves</p> 	<p>Spray Balls</p> 	<p>Flanges</p> 
<p>Draw-off Valves</p>  <p>Food processing Winery and Bottling equipment</p>	<p>Manholes for:</p> <ul style="list-style-type: none"> •Steel Tanks •Cements •Wood •Polyester 	

A733 P065 	S018 P045 	S0181 P045 	S0182 P045 	S225 P047 	S7831 P104
S2450 P009 	S2450X P009 	S2450H P010 	S580 P061 	S24501 P011 	S9210HP P070
S234 P058 	S281 P057 	S268 P055 	S311NH1 P123 	S312P P125 	S9211HP P071
S314 P118 	S315(Forged) P105 	S317 P029 	S322 P072 	S325X P064 	S9212 P072
S330 P053 	S331 P053 	S360 P036 	S508 P063 	S2440 P021 	S31606 P077
S3061 P062 	S3121P P128 	S3201 P067 	S3212 P066 	S3214 P069 	S31614 P078
S3214H P070 	S3250 P030 	S3291 P101 	S7350 P024 	S7801(Forged) P094 	S111,112,113 P048
ST40 P074 	ST47 P075 	S505 P063 	S7808 P091 	S8751 P034 	S7803 P096

Εξαρτήματα Ναυσιπλοΐας

 1 AISI 316 Top Cap 3/4", 7/8", 1", 1-1/4" Art.30074-30076	 2 AISI 316 Jaw Slide 3/4", 7/8", 1", 1-1/4" Art.30081-30083	 3 AISI 316 Jaw Slide 3/4", 7/8", 1", 1-1/4" Art.35081-35083	 4 AISI 316 Bow Forms 110°, 125°, 140°, 7/8" Art.30065,30066,30067	 5 AISI 316 Rectangular Base 60° 7/8", 1" Art.30053, 30054
 6 AISI 316 Turnbuckles jaw/eye,5mm-20mm Art.81106-81112	 7 AISI 316 Right Tee 60° 7/8", 1" Art.30061, 30062	 8 AISI 316 Rail (End-In) 7/8", 1" Art.36010, 36011	 9 AISI 316 Rectangular Base 90° 7/8", 1" Art.30035, 30036	 10 AISI 316 Round Base 90° 7/8", 1" Art.30038, 30039
 11 AISI 316 Deck Hinge with screw Art.30086	 12 AISI 316 Ski Tows 10x65mm, 12x68mm Art.35005, 35006	 13 AISI 316 Left Tee 60° 7/8", 1" Art.30055, 30056	 14 AISI 316 Tee 90° 7/8", 1" Art.30059, 30060	 15 AISI 316 Universal Tee 60° 7/8", 1" Art.30057, 30058
 16 AISI 316 Antenna Rail Mount 81x70mm Art.35037	 17 AISI 316 Elbow 90° 7/8", 1" Art.30083, 30084	 18 AISI 316 Deck Hinge Side Mounted Art.30098	 19 AISI 316 Take Apart Motor Box Hinge 1-1/2"X3-1/2" Art.30107	 20 AISI 316 Folding Step 76X64mm(4-3/8" X2-1/8") Art.35033
 21 AISI 316 Low Silhouette Cleat 5", 6", 8", 10" Art.31003-31006	 22 AISI 316 Antenna Ratchet Mount 5", 6" Art.35038, 35039	 23 AISI 316 Burca Anchors 2,5,7,5,10,15,20,30,50(kg) Art.91002-91050	 24 AISI 316 Pad Eye Oblong Base 75mm,88mm,100mm Art.69211,69212,69213	 25 AISI 316 Pad Eye 5mm,6mm,8mm Art.69205,69206,69208
 26 Draggen Fold Anchors 1.5kg-15kg Art.90001-90015	 27 AISI 316 Through Hull Outlet 3/8" - 2" Art.33101-33107	 28 AISI 316 Round Base 60° 7/8", 1" Art.30047, 30048	 29 AISI 316 3-Way Corner Fitting 7/8", 1" Art.30020, 30021	 30 CENTER STANCHION Art No. Tube O.D. Wt(lb) 35016 22mm(7/8") 93 35017 25mm(1") 100
 31 BUTT HINGE Art. No. Size Wt(lb) 33108 38x28mm(1-1/2"x1-1/2") 40 33109 50x50mm(2"x2") 60	 32 DOOR HINGE Art. No. Size Wt(lb) 30112 38x58mm(1-1/2"x2-1/4") 70 30113 38x76mm(1-1/2"x3") 90	 33 ROUND PLATE DECK HINGE Art. No. Size Wt(lb) 30101 2-1/2"x2-1/2" 130		

Ανοξείδωτοι Στύλοι για κάγκελα



Εξαρτήματα για κάγκελα και σκάλες

It's just the different thickness
It's perfect to close together



CHARACTERISTIC

1. Patent spring, it's just the different thickness.
2. Needless welding, Needless polish.
3. It's perfect to close together.
4. Low-price.
5. Complete size.

Material: Stainless Steel #304



1" electroplate SS1030 1 1/4" electroplate SS1230 1 1/2" mirror finish SS1530 2" mirror finish SS2030 2 1/2" satin SS2530 3" satin SS3030

Inside connecting units, adjustable railings and supporting rods, easy-installing mobile connecting units (free welding)

Material: SUS304#, with the original color, polished

SS:315A



Parallel type rope and joint

Free adjustment rake



Provides with several pieces of protruded spring test.

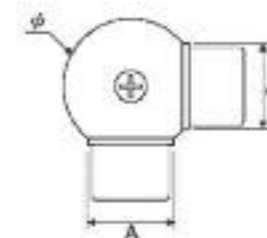
Inside connecting units, price list of easy-installing mobile connecting units (free welding) (in NT\$)

Εξαρτήματα για κάγκελα και σκάλες

① SS:322E



1 1/2" 2 1/2"
2" 3"



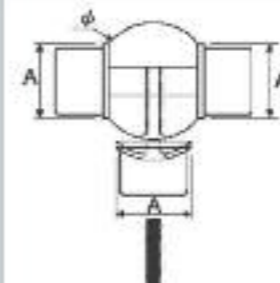
A1 1/2" phi 56mm A2 1/2" phi 92mm
A2" phi 74mm A3" phi 100mm



② SS:322E-3



1 1/2" 2 1/2"
2" 3"



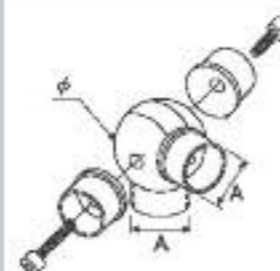
A1 1/2" phi 56mm A2 1/2" phi 92mm
A2" phi 74mm A3" phi 100mm



③ SS:322E-4



1 1/2" 2 1/2"
2" 3"



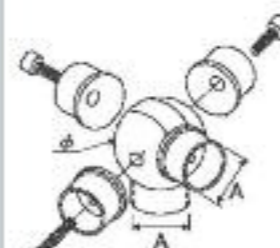
A1 1/2" phi 56mm A2 1/2" phi 92mm
A2" phi 74mm A3" phi 100mm



④ SS:322E-5



1 1/2" 2 1/2"
2" 3"



A1 1/2" phi 56mm A2 1/2" phi 92mm
A2" phi 74mm A3" phi 100mm

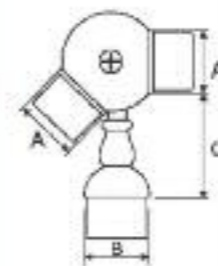


The major feature of SS:349 is to utilize multiple embossed points for insertion and connection. Without welding, no adhesion compound is needed, insertion and connection are secured to ensure safety.

⑤ SS:349A



1 1/2" x 1 1/2"
2" x 2"



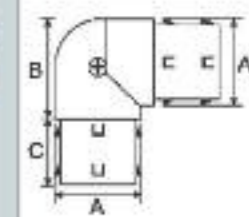
A1 1/2" B1 1/2" C
A2" B2" C



⑥ SS:349E


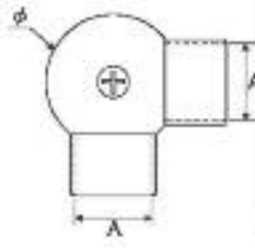




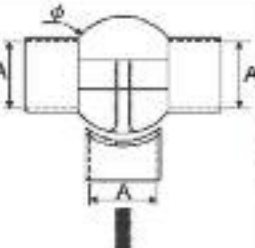




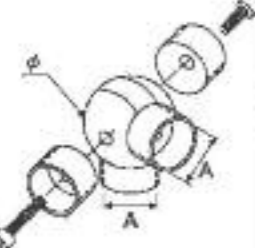




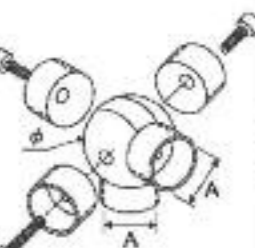


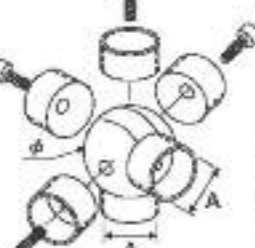



1"
1 1/2"
2"





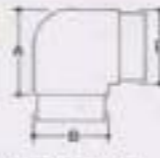






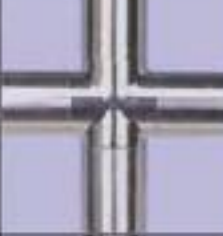




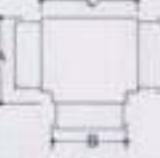



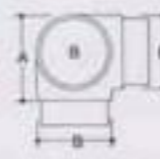





A1 1/2" B1 1/2" C1 1/2"
A2" B2 1/4" C1 1/2"



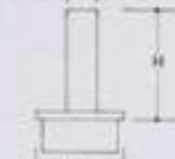







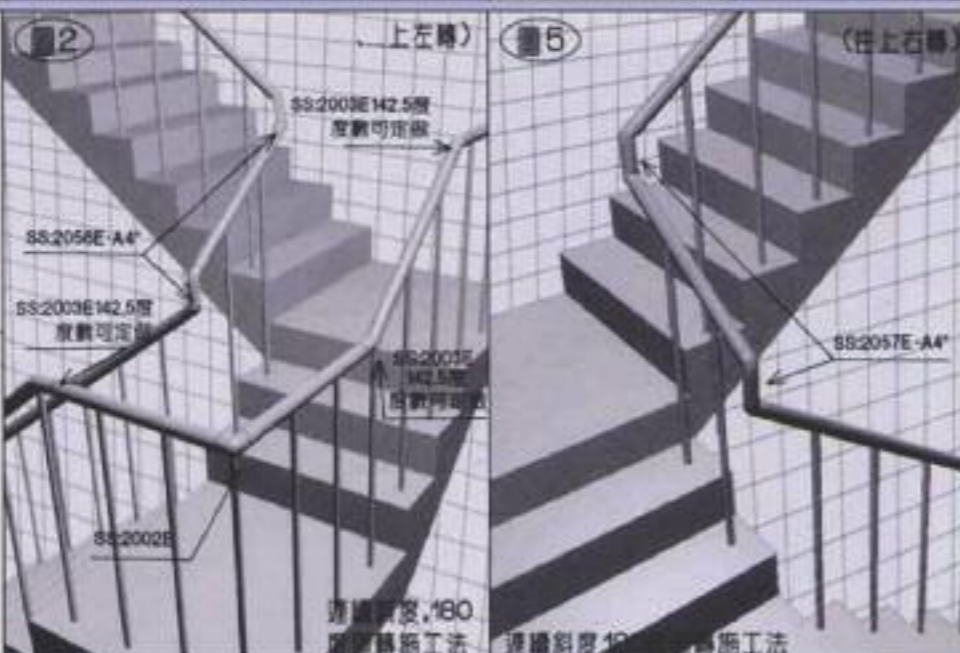




Εξαρτήματα για κάγκελα και σκάλες

<p>① SS:322</p>  <p>3/4" 1 1/2" 1" 2"</p>	 <p>A1 1/2" φ 33mm A1 1/2" φ 66mm A1" φ 44mm A2" φ 88mm</p>			
<p>② SS:322-3</p>  <p>3/4" 1 1/2" 1" 2"</p>	 <p>A1 1/2" φ 33mm A1 1/2" φ 66mm A1" φ 44mm A2" φ 88mm</p>			
<p>③ SS:322-4</p>  <p>3/4" 1 1/2" 1" 2"</p>	 <p>A1 1/2" φ 33mm A1 1/2" φ 66mm A1" φ 44mm A2" φ 88mm</p>			
<p>④ SS:322-5</p>  <p>3/4" 1 1/2" 1" 2"</p>	 <p>A1 1/2" φ 33mm A1 1/2" φ 66mm A1" φ 44mm A2" φ 88mm</p>		<p>(1) The major feature of this product is the SS: 322 adjustable connector with one to five free locking outlet rings of which the variation is at most up to six-way will to your satisfied position.</p> <p>(2) Large amount stock is not necessary, only two specification can make the variation of 11 different outlet and angle thus saving stocking cost.</p> <p>(3) Metal A, B mixed adhesives can be used for construction, insertion, connection and securing thus ensuring safety.</p>	
<p>⑤ SS:322-6</p>  <p>3/4" 1 1/2" 1" 2"</p>	 <p>A1 1/2" φ 33mm A1 1/2" φ 66mm A1" φ 44mm A2" φ 88mm</p>			





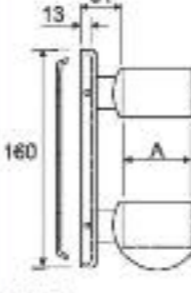


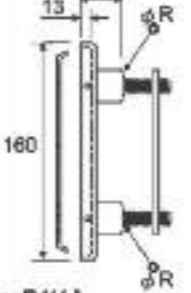





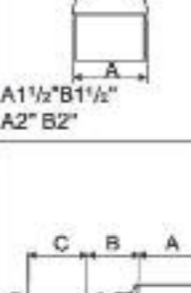

Εξαρτήματα για κάγκελα και σκάλες

<p>SS:2001E 1 1/2", 2", 2 1/2"</p>	 <p>B1 1/2" x A2 1/2" (SS:1501E) B2" x A2 1/2" (SS:2001E) B2 1/2" x A3" (SS:2501E) 110°/120° B2 1/2" x A4" (SS:2501EL) 110°/120°</p>		<p>SS:2008E 1 1/2", 2", 2 1/2"</p>	 <p>B1 1/2" x A2" x C2 1/2" (SS:1508E) B2" x A2 1/2" x C2 1/2" (SS:2008E) B2 1/2" x A2 1/2" x C3 1/2" (SS:2508E)</p>	
<p>SS:2002E 1 1/2", 2", 2 1/2"</p>	 <p>B1 1/2" x A2" (SS:1502E) B2" x A2 1/2" (SS:2002E) B2 1/2" x A2 1/2" (SS:2502E)</p>		<p>SS:2009E 1 1/2", 2", 2 1/2"</p>	 <p>B1 1/2" x A2" x C2 1/2" (SS:1509E) B2" x A2 1/2" x C2 1/2" (SS:2009E) B2 1/2" x A2 1/2" x C3 1/2" (SS:2509E)</p>	
<p>SS:2003E 1 1/2", 2", 2 1/2"</p>	 <p>B1 1/2" x A1 1/2" (SS:1503E) B2" x A1 1/2" (SS:2003E) B2 1/2" x A2 1/2" (SS:2503E)</p>		<p>SS:2010E 1 1/2", 2", 2 1/2"</p>	 <p>B1 1/2" x A2 1/2" (SS:1510E) B2" x A2 1/2" (SS:2010E) B2 1/2" x A3 1/2" (SS:2510E)</p>	
<p>SS:2004E 1 1/2", 2", 2 1/2"</p>	 <p>B1 1/2" x A2" x C1 1/2" (SS:1504E) B2" x A2 1/2" x C1 1/2" (SS:2004E) B2 1/2" x A2 1/2" x C1 1/2" (SS:2504E)</p>		<p>SS:2011E 1 1/2", 2", 2 1/2"</p>	 <p>B1 1/2" x A2 1/2" (SS:1511E) B2" x A2 1/2" (SS:2011E) B2 1/2" x A3 1/2" (SS:2511E)</p>	
<p>SS:2005E 1 1/2", 2", 2 1/2"</p>	 <p>B1 1/2" x A2" x C2 1/2" (SS:1505E) B2" x A2 1/2" x C2 1/2" (SS:2005E) B2 1/2" x A2 1/2" x C3 1/2" (SS:2505E)</p>		<p>SS:2006E 1 1/2", 2", 2 1/2"</p>	 <p>B1 1/2" x A2" (SS:1506E) B2" x A2 1/2" (SS:2006E) B2 1/2" x A2 1/2" (SS:2506E)</p>	
<p>SS:2007E 1 1/2", 2", 2 1/2"</p>	 <p>B1 1/2" x A1 1/2" (SS:1507E) B2" x A1 1/2" (SS:2007E) B2 1/2" x A2 1/2" (SS:2507E)</p>		<p>SS:2008E 1 1/2", 2", 2 1/2"</p>	 <p>B1 1/2" x A2" x C2 1/2" (SS:1508E) B2" x A2 1/2" x C2 1/2" (SS:2008E) B2 1/2" x A2 1/2" x C3 1/2" (SS:2508E)</p>	


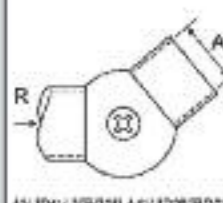


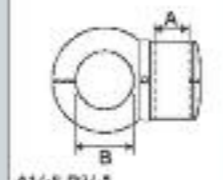


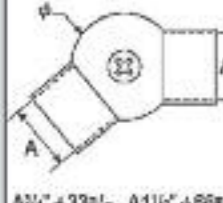


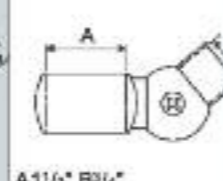


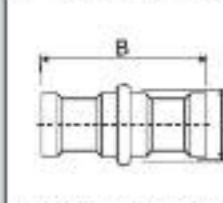


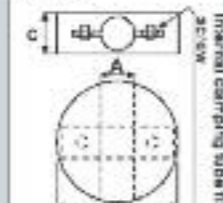


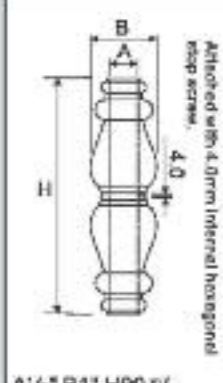


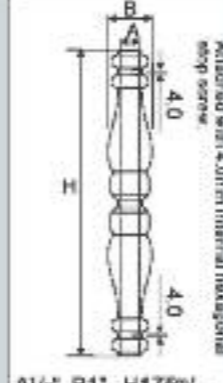


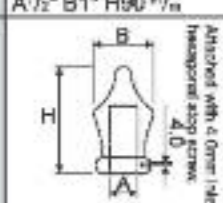


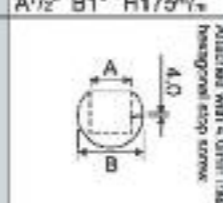


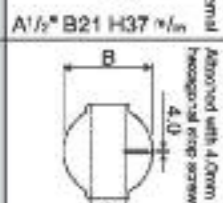


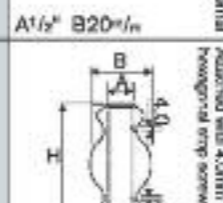


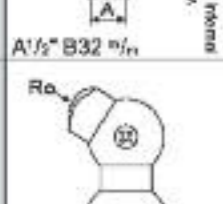




Εξαρτήματα για κάγκελα και σκάλες

<p>SS: 2001A</p>  <p>1 1/2", 2"</p> <p>B2" x A1" x H3 1/2" (SS:2001A) B1 1/2" x A2 1/2" x H2 1/2" (SS:1501A)</p>	<p>SS: 2022A</p>  <p>1 1/2", 2"</p> <p>B2" x A1" x H3 1/2" (SS:2022A) B1 1/2" x A1 1/2" x H2 1/2" (SS:1522A)</p>	
<p>SS: 2012A</p>  <p>1 1/2", 2"</p> <p>B2" x A1" x H3 1/2" (SS:2012A) B1 1/2" x A1 1/2" x H2 1/2" (SS:1512A)</p>	<p>SS: 2021A-2"</p> 	
<p>SS: 2516A</p>  <p>1 1/2", 2", 2 1/2", 3"</p> <p>B1 1/2" x A3" x H1" (SS:1516A) B2" x A4" x H1 1/2" (SS:2016A) B2 1/2" x A5" x H1 1/2" (SS:2516A)</p>	<p>SS: 2021A-1 1/2"</p> 	
<p>SS: 2056E-A4"</p>  <p>1 1/2", 2"</p> <p>B1 1/2" x A4" (SS:1556E) B2" x A4" (SS:2056E) B2 1/2" x A4" (SS:2556E)</p>	 <p>SS:2056E-A4</p> <p>SS:2057E-A4</p> <p>SS:2002E</p> <p>SS:2003E 142.5度 角度可定製</p> <p>SS:2002E</p> <p>連續斜度 180 度轉角工法</p> <p>連續斜度 180 度轉角工法</p>	
<p>SS: 2057E-A4</p>  <p>1 1/2", 2"</p> <p>B1 1/2" x A4" (SS:1557E) B2" x A4" (SS:2057E) B2 1/2" x A4" (SS:2557E)</p>		
<p>SS: 2031A</p>  <p>1", 1 1/2", 2"</p> <p>R1" x A85% x C68% (SS:1231A) R1 1/2" x A78% x C70% (SS:1531A) R2" x A70% x C70% (SS:2031A)</p>	<p>SS: 2040A</p>  <p>1", 1 1/2", 2"</p> <p>R1" x A85% x C57% (SS:1040A) R1 1/2" x A85% x C57% (SS:1240A) R1 1/2" x A78% x C57% (SS:1540A) R2" x A78% x C57% (SS:2040A)</p>	

Εξαρτήματα για κάγκελα και σκάλες

<p>① SS:335</p>  <p>1 1/2" x 1 1/2" 2" x 2"</p>	 <p>A1 1/2" B1 1/2" A2" B2"</p>	<p>⑦ SS:341</p>  <p>Single way outlet</p> <p>1 1/2" x W 1 1/2" x 1 1/2" 2" x W 2" x 1" S</p> <p>A1 1/2" B 1/4" A1 1/2" B1" A2" B 1/4" A2" B1"</p>
<p>② SS:336</p>  <p>1 1/2" 2"</p>	 <p>A1 1/2" A2"</p>	<p>⑧ SS:342</p>  <p>Dual way 90° outlet</p> <p>1 1/2" x W 1 1/2" x 1 1/2" 2" x W 2" x 1" S</p> <p>A1 1/2" B 1/4" A1 1/2" B1" A2" B 1/4" A2" B1"</p>
<p>③ SS:337</p>  <p>R1 1/2" R2"</p>	 <p>A1 1/2" B1 1/2" A2" B2"</p> <p>φ R1 1/2" φ R2"</p> <p>φ R</p>	<p>⑨ SS:343</p>  <p>Three-way outlet</p> <p>1 1/2" x W 1 1/2" x 1 1/2" 2" x W 2" x 1" S</p> <p>A1 1/2" B 1/4" A1 1/2" B1" A2" B 1/4" A2" B1"</p>
<p>④ SS:338</p>  <p>1 1/2" 2"</p>	 <p>A1 1/2" B1 1/2" A2" B2"</p> <p>A1 will be used as the outlet</p>	<p>⑩ SS:344</p>  <p>Dual way 180° outlet</p> <p>1 1/2" x W 1 1/2" x 1 1/2" 2" x W 2" x 1" S</p> <p>A1 1/2" B 1/4" A1 1/2" B1" A2" B 1/4" A2" B1"</p>
<p>⑤ SS:339</p>  <p>1 1/2" 2"</p>	 <p>A1 1/2" B1 1/2" A2" B2"</p>	<p>⑪ SS:345</p>  <p>1 1/2" x W 1 1/2" x 1 1/2" 2" x W 2" x 1" S</p> <p>A1 1/2" B 1/4" A1 1/2" B1" A2" B 1/4" A2" B1"</p> <p>Angle can be adjusted</p>
<p>⑥ SS:340</p> <p>1 1/2" 2"</p>	<p>A1 1/2" B1 1/2" C1 1/2" A2" B1 1/2" C2"</p> <p>Use SS:322 for istama fabrication</p> <p>Diagnose in general is 127°, special degrees can be ordered with designation.</p>	<p>⑫ SS:346 1.5"</p> <p>φ 1 1/2" φ 2"</p> <p>⑬ SS:347 2"</p> <p>φ 1 1/2" φ 2"</p> <p>⑭ SS:348 2.5"</p> <p>φ 1 1/2" φ 2"</p> <p>Diagnose in general is 127°, special degrees can be ordered with designation.</p>

Εξαρτήματα για κάγκελα και σκάλες

1 SS:321  $\frac{3}{4}$ " $1\frac{1}{2}$ " 1 " 2 "  $A1 \times R1 \times \phi 33 \times \phi 33$ $A1 \times R2 \times \phi 33 \times \phi 33$ $A1 \times R1 \times \phi 33 \times \phi 33$ $A2 \times R2 \times \phi 33 \times \phi 33$  Angle can be adjusted at will.	8 SS:328  $1\frac{1}{2}$ " x $1\frac{1}{4}$ " $1\frac{1}{2}$ " x 1 "  $A1 \frac{1}{2}$ " $B \frac{1}{4}$ " $A1 \frac{1}{2}$ " $B1$ "  Angle can be adjusted in 150°.
2 SS:322  $\frac{3}{4}$ " S:585 $1\frac{1}{2}$ " S:1175 1 " S: 2 " S:  $A1 \times \phi 33 \times \phi 33$ $A1 \frac{1}{2} \times \phi 33 \times \phi 33$ $A1 \times \phi 44 \times \phi 44$ $A2 \times \phi 33 \times \phi 33$  Angle can be adjusted at will.	9 SS:329  $1\frac{1}{2}$ " x $1\frac{1}{4}$ " 2 " x $1\frac{1}{2}$ "  $A1 \frac{1}{2}$ " $B \frac{1}{4}$ " $A2 \times B \frac{1}{4}$ "  Angle can be adjusted at will.
3 SS:323  $1\frac{1}{2}$ " 2 " $2\frac{1}{2}$ "  $A1 \frac{1}{2}$ " $B79 \times \phi 33$ $A2 \frac{1}{2}$ " $B95 \times \phi 33$ $A2 \times B85 \times \phi 33$  Speedy and perfect insertion and connection.	10 SS:330  $\frac{1}{2}$ "  Internal clamping tube fitting A: 15° $A1 \frac{1}{2}$ " $B50$ $C15 \times \phi 15$ 
4 SS:324  $\frac{1}{2}$ "  Attached with 4.0mm internal hexagonal stop screw. 4.0 H $A1 \frac{1}{2}$ " $B1$ " $H90 \times \phi 15$ 	11 SS:331  $\frac{1}{2}$ "  Attached with 4.0mm internal hexagonal stop screw. 4.0 H $A1 \frac{1}{2}$ " $B1$ " $H175 \times \phi 15$ 
5 SS:325  $\frac{1}{2}$ "  Attached with 4.0mm internal hexagonal stop screw. 4.0 H $A1 \frac{1}{2}$ " $B21$ $H37 \times \phi 15$ 	12 SS:332  $\frac{1}{2}$ "  Attached with 4.0mm internal hexagonal stop screw. 4.0 A B $A1 \frac{1}{2}$ " $B20 \times \phi 15$ 
6 SS:326  $\frac{1}{2}$ "  Attached with 4.0mm internal hexagonal stop screw. 4.0 B A $A1 \frac{1}{2}$ " $B32 \times \phi 15$ 	13 SS:333  $\frac{1}{2}$ "  Attached with 4.0mm internal hexagonal stop screw. 4.0 H B A $A1 \frac{1}{2}$ " $B32$ $H80 \times \phi 15$ 
7 SS:327  $1\frac{1}{2}$ " 2 "  $A1 \frac{1}{2}$ " $R1 \frac{1}{2}$ " ($\&R2$) $A2 \times R2$ " ($\&R2 \frac{1}{2}$ "  Angle can be adjusted at will.	14 SS:334  $1\frac{1}{2}$ " x $1\frac{1}{2}$ " 2 " x 2 "  $A1 \frac{1}{2}$ " $B1 \frac{1}{2}$ " $A2 \times B2$ "  Angle can be adjusted at will.

Εξαρτήματα για κάγκελα και σκάλες

SS: 2014A  $1\frac{1}{2}$ " 2 " $2\frac{1}{2}$ "  $B1 \times A2 \times \phi 33 \times \phi 33$ ($\&R1$) ($\&S: 2014A$) $B2 \times A4 \times \phi 33 \times \phi 33$ ($\&R1$) ($\&S: 2014A$) $B2 \times A4 \times \phi 33 \times \phi 33$ ($\&R1$) ($\&S: 2014A$)	SS: 2025A  $1\frac{1}{2}$ " 2 " $2\frac{1}{2}$ "  $B1 \times A2 \times \phi 33 \times \phi 33$ ($\&S: 2025A$) $B2 \times A2 \times \phi 33 \times \phi 33$ ($\&S: 2025A$) $B2 \times A3 \times \phi 33 \times \phi 33$ ($\&S: 2025A$)
SS: 2015A  $1\frac{1}{2}$ " 2 " $2\frac{1}{2}$ "  $B1 \times A3 \times \phi 33 \times \phi 33$ ($\&S: 2015A$) $B2 \times A4 \times \phi 33 \times \phi 33$ ($\&S: 2015A$) $B2 \times A4 \times \phi 33 \times \phi 33$ ($\&S: 2015A$)	SS: 2026A  $1\frac{1}{2}$ " 2 " $2\frac{1}{2}$ "  $B1 \times A3 \times \phi 33 \times \phi 33$ ($\&S: 2026A$) $B2 \times A3 \times \phi 33 \times \phi 33$ ($\&S: 2026A$) $B2 \times A4 \times \phi 33 \times \phi 33$ ($\&S: 2026A$)
SS: 2516A  $1\frac{1}{2}$ " 2 " $2\frac{1}{2}$ " 3 "  $B1 \times A2 \times \phi 33 \times \phi 33$ ($\&S: 2516A$) $B2 \times A4 \times \phi 33 \times \phi 33$ ($\&S: 2516A$) $B2 \times A4 \times \phi 33 \times \phi 33$ ($\&S: 2516A$)	SS: 2028A  $R1 \frac{1}{2}$ " $R2$ "  $B1 \times A3 \times \phi 33 \times \phi 33$ ($\&S: 2028A$) $B2 \times A3 \times \phi 33 \times \phi 33$ ($\&S: 2028A$)
SS: 2017A  $1\frac{1}{2}$ " 2 " $2\frac{1}{2}$ "  $B1 \times A2 \times \phi 33 \times \phi 33$ ($\&S: 2017A$) $B2 \times A4 \times \phi 33 \times \phi 33$ ($\&S: 2017A$) $B2 \times A4 \times \phi 33 \times \phi 33$ ($\&S: 2017A$)	SS: 2029A  $1\frac{1}{2}$ " 2 " $2\frac{1}{2}$ "  $B2 \times A3 \times \phi 33 \times \phi 33$ ($\&S: 2029A$)
SS: 1527A-R2"  $1\frac{1}{2}$ " 2 " $2\frac{1}{2}$ "  $B \times \phi 33 \times \phi 33 \times \phi 33$ ($\&R1$) ($\&S: 1527A$) $B \times \phi 33 \times \phi 33 \times \phi 33$ ($\&R2$) ($\&S: 1527A$) $B \times \phi 33 \times \phi 33 \times \phi 33$ ($\&R1$) ($\&S: 1527A$)	
SS: 2023A  $R1 \frac{1}{2}$ " $R2$ " $R2 \frac{1}{2}$ "  $R1 \times A1 \times \phi 33 \times \phi 33$ ($\&S: 2023A$) $R2 \times A1 \times \phi 33 \times \phi 33$ ($\&S: 2023A$) $R2 \times A1 \times \phi 33 \times \phi 33$ ($\&S: 2023A$)	
SS: 2024A  $1\frac{1}{2}$ " 2 " $2\frac{1}{2}$ "  $B1 \times A3 \times \phi 33 \times \phi 33$ ($\&S: 2024A$) $B2 \times A4 \times \phi 33 \times \phi 33$ ($\&S: 2024A$) $B2 \times A4 \times \phi 33 \times \phi 33$ ($\&S: 2024A$)	

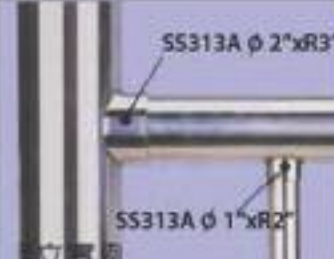

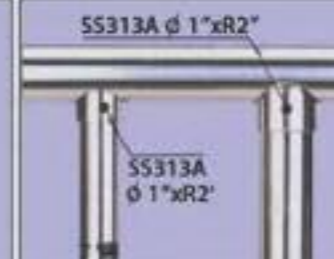
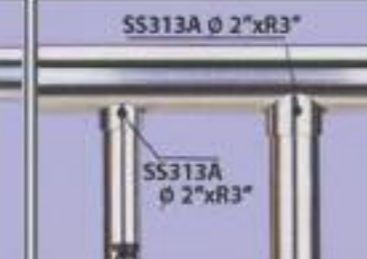
Εξαρτήματα για κάγκελα και σκάλες

SS:1568  1", 1 1/4", 1 1/2", 2"	 B1" (SS:1068) B1 1/4" (SS:1268) B1 1/2" (SS:1568) B2" (SS:2068)	SS1571  1 1/4", 1 1/2"	 B1 1/2" (SS:1271) B1 1/4" (SS:1571) B1 1/2" 鍍鍍金 (SS:1271 T) B1 1/4" 鍍鍍金 (SS:1571 T)	SS:1570  1 1/4", 1 1/2"	 B1 1/4" (SS:1270) B1 1/2" (SS:1570) B1 1/4" 鍍鍍金 (SS:1270 T) B1 1/2" 鍍鍍金 (SS:1570 T)
---	---	---	---	---	---

SS:2043A  1", 1 1/4", 1 1/2", 2"	 B1"xA85%xC85% (SS:1043A) B1 1/4"xA85%xC85% (SS:1243A) B1 1/2"xA78%xC185% (SS:1543A) B2"xA78%xC115% (SS:2043A)		SS:2048A  1", 1 1/4", 1 1/2", 2"	 B1"xA85%xC125% (SS:1048A) B1 1/4"xA85%xC135% (SS:1248A) B1 1/2"xA78%xC145% (SS:1548A) B2"xA78%xC155% (SS:2048A)	
--	---	---	---	--	---

SS:2044A  1", 1 1/4", 1 1/2", 2"	 B1"xA85%xC85% (SS:1044A) B1 1/4"xA85%xC95% (SS:1244A) B1 1/2"xA78%xC165% (SS:1544A) B2"xA78%xC115% (SS:2044A)		SS:313A SS:314A 	SS:313AL SS:314AL  125° 127.5° 130°
--	---	---	--	---



SS313A φ 2"xR3" 	SS313A φ 1"xR2"  125° 127.5° 130°	SS313A φ 1"xR2" 	SS313A φ 2"xR3" 
--	---	--	---

Εξαρτήματα για κάγκελα και σκάλες

SS:361	SS:362-2	SS:362-1	SS:363-2	SS:364-1	SS:365-2	SS:365-1	SS:366-2	SS:366-1	SS:367
									

Some elements titanium-plated in golden color shines elegantly forever are your best choices.

The above unit price is applicable for adjustable SS:328 accessory in ID of φ 3/4 if φ 1" is used, then additional price will be added.


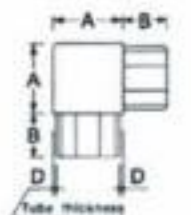



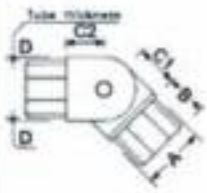

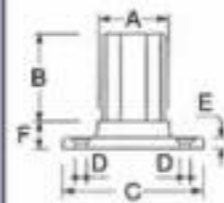



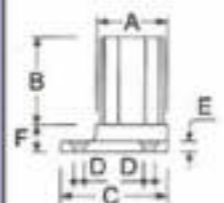

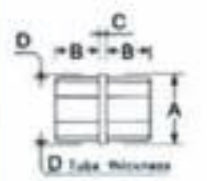

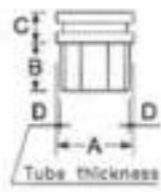

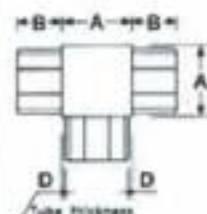

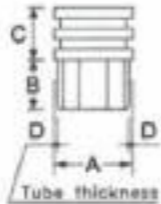



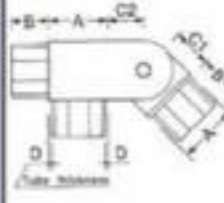

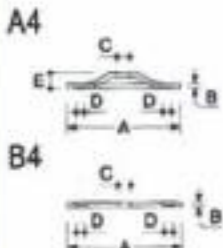

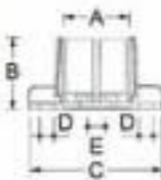
From the overall vision view to detailed delicate assembly, this product looks just like a king-size art piece for placing in your living circumference, however, you can select and change some fittings occasionally for a new look.





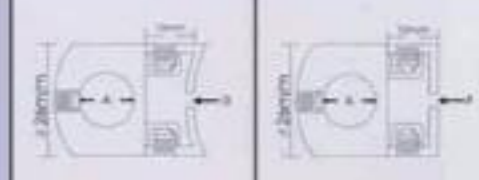



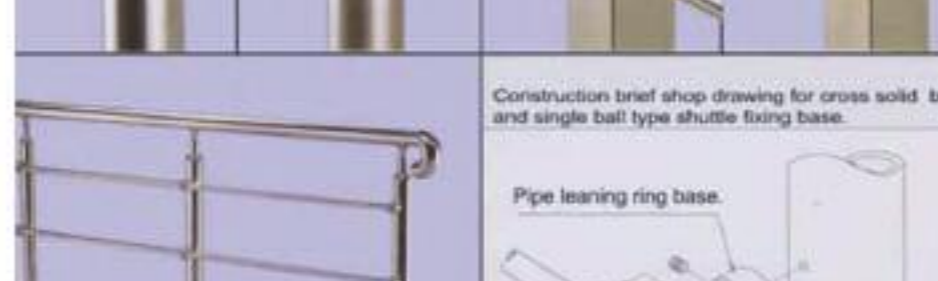
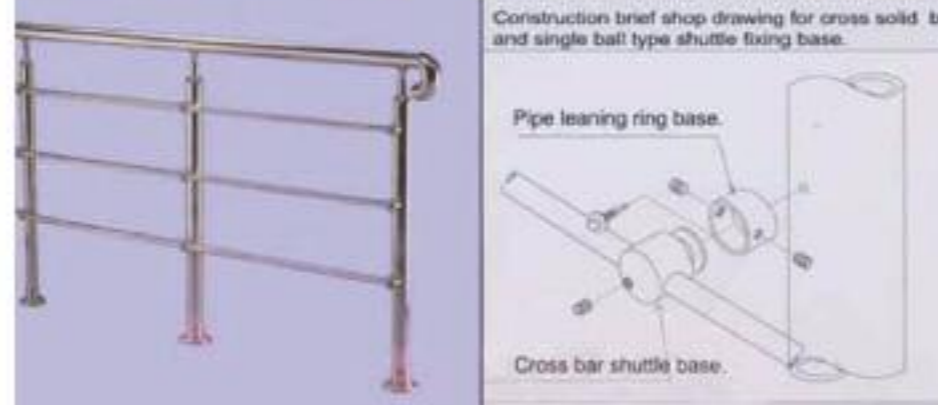

High quality end-cap for round pipes. The information concerning size and price of each item, please refer to page 15.



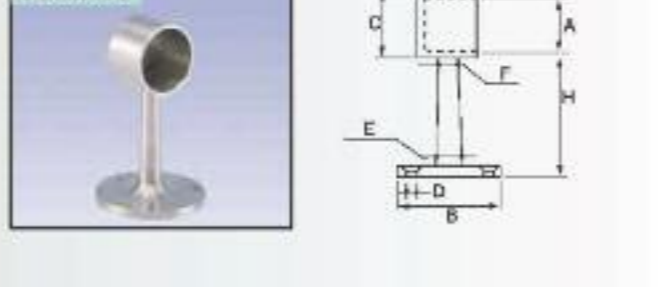
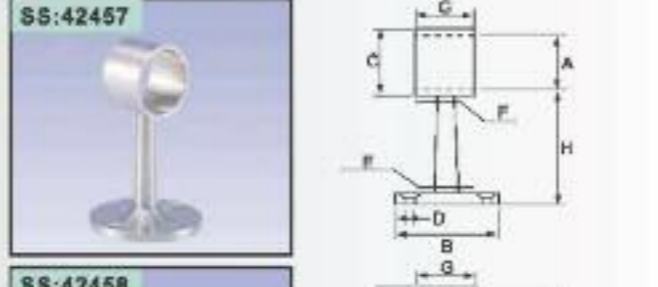
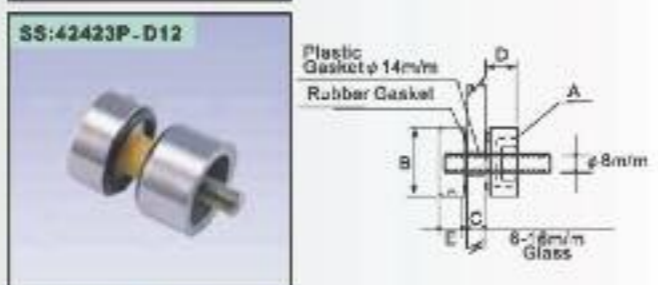
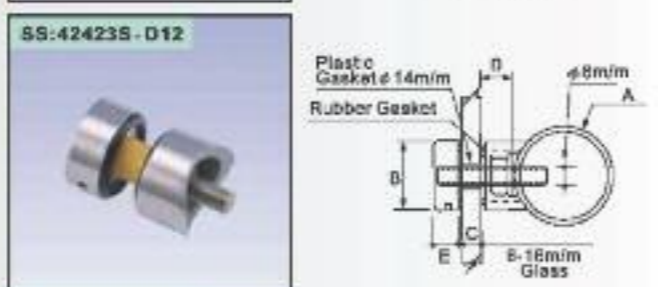
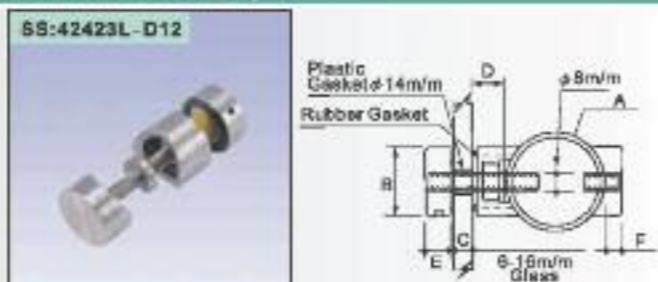
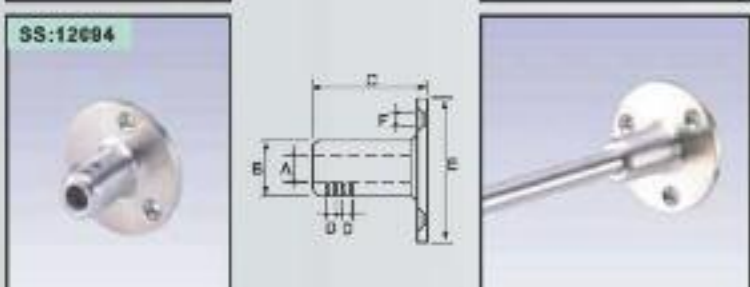
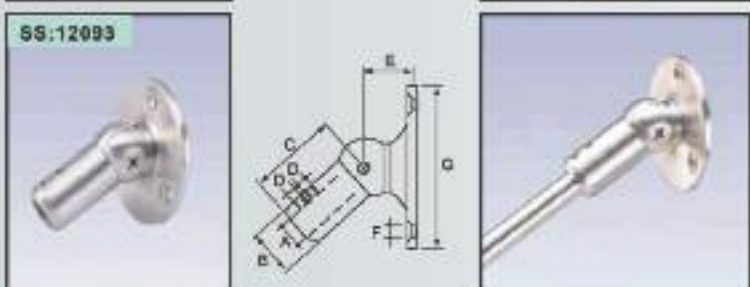
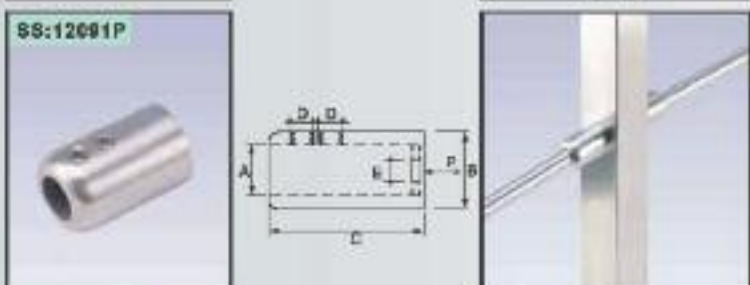
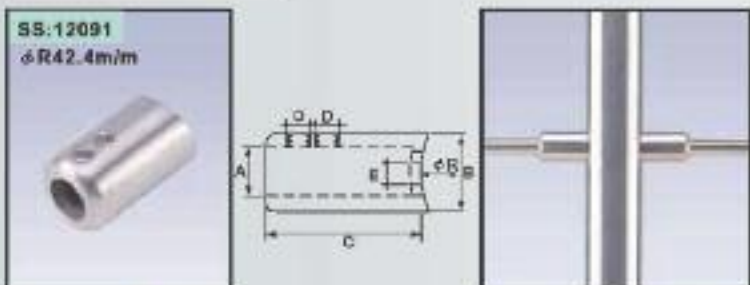
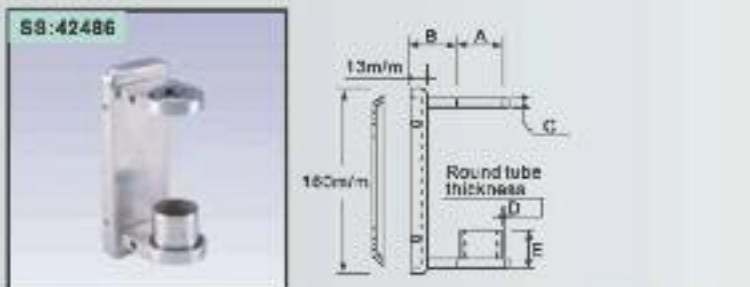
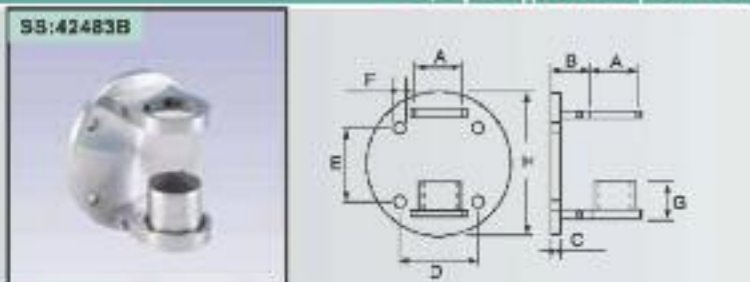
Εξαρτήματα για κάγκελα και σκάλες

Εξαρτήματα για κάγκελα και σκάλες

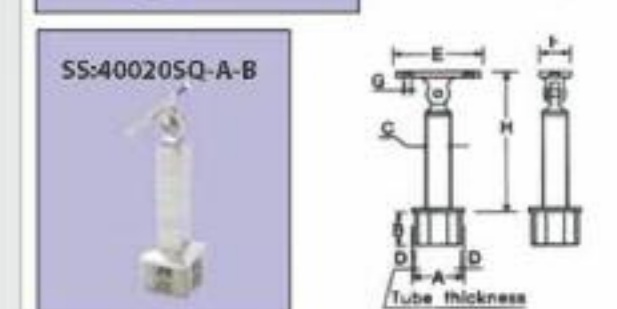
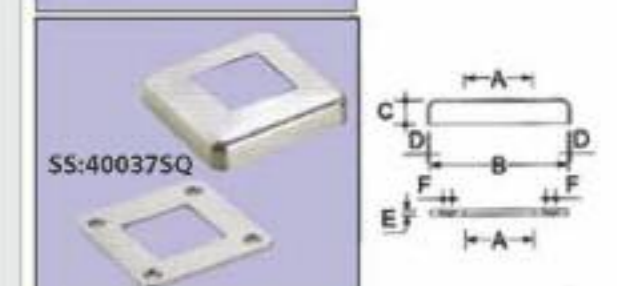
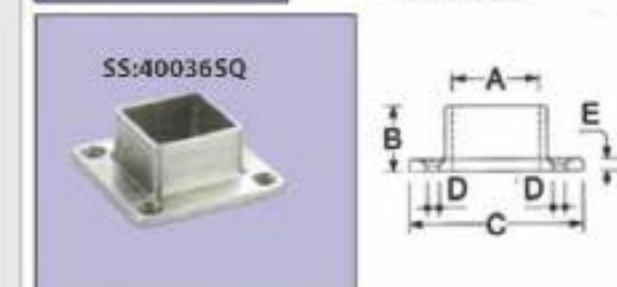
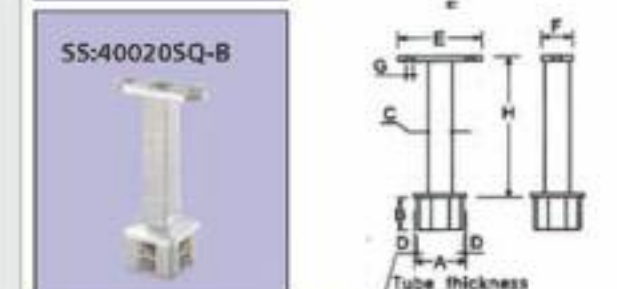
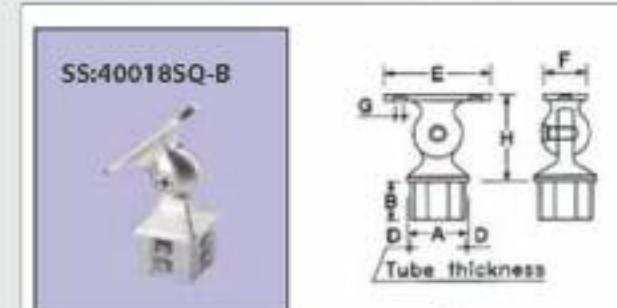
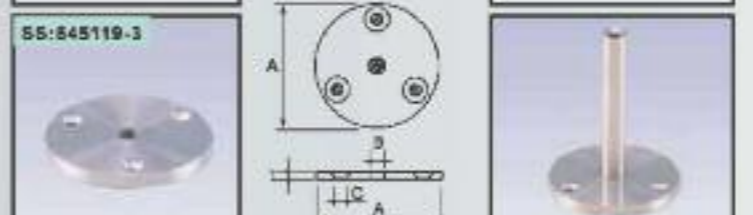
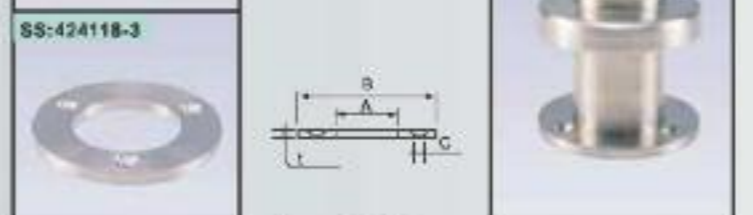
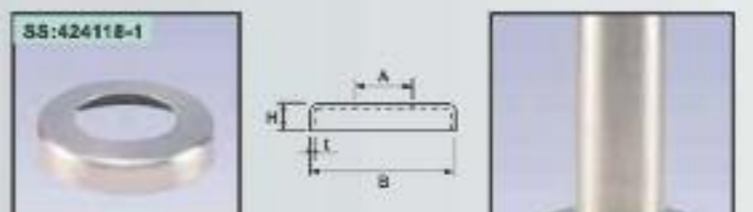
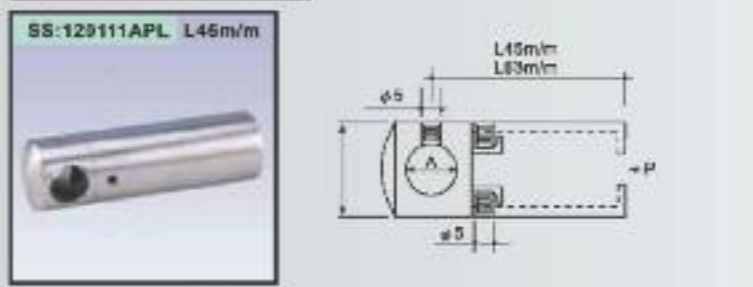
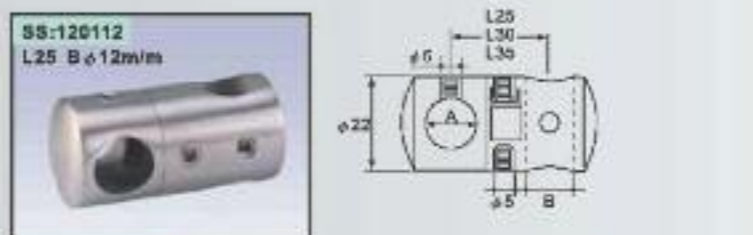
SS:40002SQ-B  	SS:40021SQ-B  
SS:40003SQ-AB  	SS:40024SQ-B  
SS:40003SQ-B  	SS:40025SQ-B  
SS:40004SQ-B  	SS:40026SQ-2-B  
SS:40005SQ-B  	SS:40026SQ-3-B  
SS:40006SQ-B  	SS:40005SQ-AS-B  
SS:40012SQ-B4  	SS:40099SQ-A  

SS:0474A-R2" 	SS:0474B-R2" 	SS:0474AP 	SS:0474BP 																																					
				<p>Please refer to the following specification and items.</p> <p>Please refer to the following specification and items.</p>																																				
				<p>Price list for cross solid bar shuttle universal speed fixing base.</p> <table border="1"> <thead> <tr> <th>Code number and names of products</th> <th>Specification of products</th> </tr> </thead> <tbody> <tr> <td>SS:0474A-R1 1/2"</td> <td>A1 1/2" x R1 1/2"</td> </tr> <tr> <td>SS:0474A-R2"</td> <td>A1 1/2" x R2"</td> </tr> <tr> <td>SS:0474A-R2 1/2"</td> <td>A1 1/2" x R2 1/2"</td> </tr> <tr> <td>SS:0474A-R1 1/4"</td> <td>A1 1/4" x R1 1/4"</td> </tr> <tr> <td>SS:0474A-R2"</td> <td>A1 1/4" x R2"</td> </tr> <tr> <td>SS:0474A-R2 1/4"</td> <td>A1 1/4" x R2 1/4"</td> </tr> </tbody> </table>	Code number and names of products	Specification of products	SS:0474A-R1 1/2"	A1 1/2" x R1 1/2"	SS:0474A-R2"	A1 1/2" x R2"	SS:0474A-R2 1/2"	A1 1/2" x R2 1/2"	SS:0474A-R1 1/4"	A1 1/4" x R1 1/4"	SS:0474A-R2"	A1 1/4" x R2"	SS:0474A-R2 1/4"	A1 1/4" x R2 1/4"																						
Code number and names of products	Specification of products																																							
SS:0474A-R1 1/2"	A1 1/2" x R1 1/2"																																							
SS:0474A-R2"	A1 1/2" x R2"																																							
SS:0474A-R2 1/2"	A1 1/2" x R2 1/2"																																							
SS:0474A-R1 1/4"	A1 1/4" x R1 1/4"																																							
SS:0474A-R2"	A1 1/4" x R2"																																							
SS:0474A-R2 1/4"	A1 1/4" x R2 1/4"																																							
				<p>Please refer to the following specification and items.</p> <p>Please refer to the following specification and items.</p>																																				
				<p>Price list for single ball type cross bar shuttle fixing base.</p> <table border="1"> <thead> <tr> <th>Code number and names of products</th> <th>Specification of products</th> </tr> </thead> <tbody> <tr> <td>SS:0675A-R1 1/2"</td> <td>A1 1/2" x R1 1/2" x W12.5%</td> </tr> <tr> <td>SS:0675A-R2"</td> <td>A1 1/2" x R2" x W12.5%</td> </tr> <tr> <td>SS:0675A-R2 1/2"</td> <td>A1 1/2" x R2 1/2" x W12.5%</td> </tr> <tr> <td>SS:1075A-R1 1/2"</td> <td>A1 1/2" x R1 1/2" x W13%</td> </tr> <tr> <td>SS:1075A-R2"</td> <td>A1 1/2" x R2" x W13%</td> </tr> <tr> <td>SS:1075A-R2 1/2"</td> <td>A1 1/2" x R2 1/2" x W13%</td> </tr> <tr> <td>SS:1275A-R1 1/2"</td> <td>A1 1/2" x R1 1/2" x W13.5%</td> </tr> <tr> <td>SS:1275A-R2"</td> <td>A1 1/2" x R2" x W13.5%</td> </tr> <tr> <td>SS:1275A-R2 1/2"</td> <td>A1 1/2" x R2 1/2" x W13.5%</td> </tr> <tr> <td>SS:1575A-R1 1/2"</td> <td>A1 1/2" x R1 1/2" x W14%</td> </tr> <tr> <td>SS:1575A-R2"</td> <td>A1 1/2" x R2" x W14%</td> </tr> <tr> <td>SS:1575A-R2 1/2"</td> <td>A1 1/2" x R2 1/2" x W14%</td> </tr> <tr> <td>SS:2075A-R1 1/2"</td> <td>A2" x R1 1/2" x W14.5%</td> </tr> <tr> <td>SS:2075A-R2"</td> <td>A2" x R2" x W14.5%</td> </tr> <tr> <td>SS:2075A-R2 1/2"</td> <td>A2" x R2 1/2" x W14.5%</td> </tr> <tr> <td>SS:2575A-R1 1/2"</td> <td>A2 1/2" x R1 1/2" x W15%</td> </tr> <tr> <td>SS:2575A-R2"</td> <td>A2 1/2" x R2" x W15%</td> </tr> </tbody> </table>	Code number and names of products	Specification of products	SS:0675A-R1 1/2"	A1 1/2" x R1 1/2" x W12.5%	SS:0675A-R2"	A1 1/2" x R2" x W12.5%	SS:0675A-R2 1/2"	A1 1/2" x R2 1/2" x W12.5%	SS:1075A-R1 1/2"	A1 1/2" x R1 1/2" x W13%	SS:1075A-R2"	A1 1/2" x R2" x W13%	SS:1075A-R2 1/2"	A1 1/2" x R2 1/2" x W13%	SS:1275A-R1 1/2"	A1 1/2" x R1 1/2" x W13.5%	SS:1275A-R2"	A1 1/2" x R2" x W13.5%	SS:1275A-R2 1/2"	A1 1/2" x R2 1/2" x W13.5%	SS:1575A-R1 1/2"	A1 1/2" x R1 1/2" x W14%	SS:1575A-R2"	A1 1/2" x R2" x W14%	SS:1575A-R2 1/2"	A1 1/2" x R2 1/2" x W14%	SS:2075A-R1 1/2"	A2" x R1 1/2" x W14.5%	SS:2075A-R2"	A2" x R2" x W14.5%	SS:2075A-R2 1/2"	A2" x R2 1/2" x W14.5%	SS:2575A-R1 1/2"	A2 1/2" x R1 1/2" x W15%	SS:2575A-R2"	A2 1/2" x R2" x W15%
Code number and names of products	Specification of products																																							
SS:0675A-R1 1/2"	A1 1/2" x R1 1/2" x W12.5%																																							
SS:0675A-R2"	A1 1/2" x R2" x W12.5%																																							
SS:0675A-R2 1/2"	A1 1/2" x R2 1/2" x W12.5%																																							
SS:1075A-R1 1/2"	A1 1/2" x R1 1/2" x W13%																																							
SS:1075A-R2"	A1 1/2" x R2" x W13%																																							
SS:1075A-R2 1/2"	A1 1/2" x R2 1/2" x W13%																																							
SS:1275A-R1 1/2"	A1 1/2" x R1 1/2" x W13.5%																																							
SS:1275A-R2"	A1 1/2" x R2" x W13.5%																																							
SS:1275A-R2 1/2"	A1 1/2" x R2 1/2" x W13.5%																																							
SS:1575A-R1 1/2"	A1 1/2" x R1 1/2" x W14%																																							
SS:1575A-R2"	A1 1/2" x R2" x W14%																																							
SS:1575A-R2 1/2"	A1 1/2" x R2 1/2" x W14%																																							
SS:2075A-R1 1/2"	A2" x R1 1/2" x W14.5%																																							
SS:2075A-R2"	A2" x R2" x W14.5%																																							
SS:2075A-R2 1/2"	A2" x R2 1/2" x W14.5%																																							
SS:2575A-R1 1/2"	A2 1/2" x R1 1/2" x W15%																																							
SS:2575A-R2"	A2 1/2" x R2" x W15%																																							
				<p>Construction brief shop drawing for cross solid bar and single ball type shuttle fixing base.</p> <p>Pipe leaning ring base.</p> <p>Cross bar shuttle base.</p>																																				
				<p>Fixing method secured by ring base, employing 1.Rivet 2.self-tapping screw 3.Inner spot welding.</p>																																				
<p>There are common codes for several model for above products and based on this catalog.</p>																																								

Εξαρτήματα για κάγκελα και σκάλες



Εξαρτήματα για κάγκελα και σκάλες



Εξαρτήματα για σκάλες

Wire Railing Series



Εξαρτήματα για σκάλες



